

FAMILY OWNED AND OPERATED SINCE 1933



**Hannay Reels®**  
*The reel leader.*

# Audio/Video Reels



The  
Hannay  
Way

Production & Recording Facilities • Television & Radio Stations  
Live Events & Concerts • Mobile Broadcast Units  
Satellite & Cable Companies

[www.hannay.com](http://www.hannay.com)

Pride in workmanship • Reels built to order • Consistent quality • Service with integrity • Value for your dollar

# AV

## PORTABLE CABLE STORAGE REELS

For fast rollout and storage.

- Broadcast and pro-audio applications. The reels are stackable and have side mounted connector panels.
- Features optional heavy-duty casters.
- Rugged steel and aluminum construction throughout. Square tubing frame.
- Black, non-reflective matte finish.
- Removable side panel (blank panel is supplied as standard)
- Standard strain relief inside panel compartment.
- Frame clips allow stacking.
- Ergonomic carrying handles.
- Adjustable Cam-lock drag brake.
- Features optional heavy-duty, locking caster wheels (set includes 2 locking and 2 non-locking casters) available on AV-2 reel. P/N 9949.0072



Cam-lock shown on AV-2



AV-1  
Standard Configuration Shown



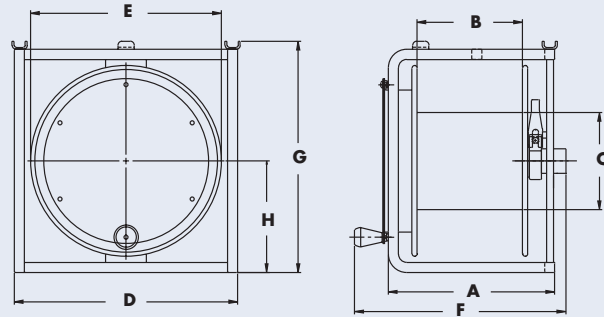
AV-2  
with Optional Casters (cable not included)

### Parts Drawing – AV-1 - ISO 190, AV-2 - ISO 191

Model Number	Cable Capacity of Reel							Approx. Weight without cable		Reel Dimensions								
	O.D. (in) O.D. (mm)	.245 6	.375 10	.41 10	.45 11	.49 12	.58 15	.67 17	NET	SHIP	A	B	C	D	E	F	G	H
AV-1		600 183	225 69	200 61	150 46	125 38	-	-	14 6	53* 24	10.5 267	7 178	6 152	13.75 349	11.75 298	14.25 362	14.25 362	7 178
AV-2		- -	- -	750 229	600 183	500 152	350 107	250 76	25 11	65* 29	13 330	9 229	8 203	20 508	18 457	16.25 413	20.5 521	10 254

**Notes:**

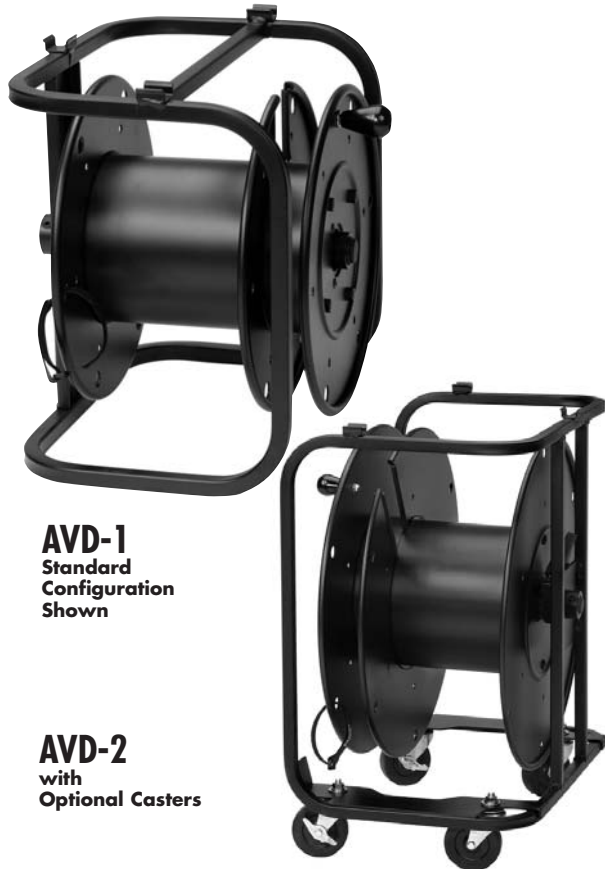
Specifications subject to change.  
**1. Be sure to check dimensions and weights prior to ordering.**  
 \*Dimensional weight applies when shipped as a parcel package (via FedEx or UPS Ground)



AV-1 and AV-2

# AVD

## PORTABLE CABLE STORAGE REELS WITH SLOTTED DIVIDER DISCS



**AVD-1**  
Standard Configuration Shown

**AVD-2**  
with Optional Casters

Similar in construction to the Series AV reels, the primary advantage of a Series AVD reel is the addition of a slotted divider disc within the reel spool. This divider disc provides a convenient way for the user to have unobstructed access to both cable connector ends. With this feature, it is easy to pull off any length of cable and still have access to both connectors. There is no need to pull the entire length of cable off the reel before using it.

- Communication, broadcast, and pro-audio applications.
- Rugged steel frame and aluminum spool construction.
- Black, non-reflective matte finish.
- Slotted divider disc provides 2" wide space for storage of short cable.
- Frame clips allow stacking of reels.
- Ergonomic carrying handle.
- Adjustable Cam-lock drag brake locks cable in place.
- Optional heavy-duty, locking caster wheels available on AVD-2 reel (P/N 9949.0072).

### Parts Drawing – AVD-1 - ISO 222, AVD-2 - ISO 223

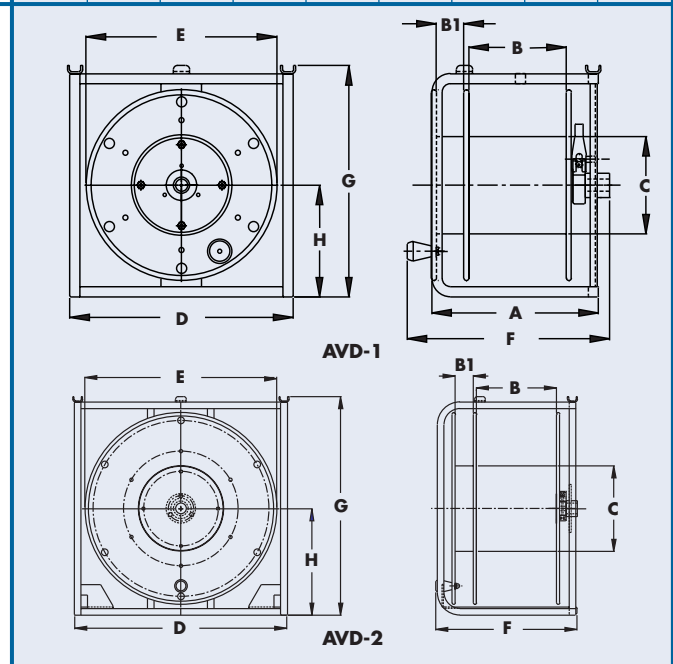
Model Number	Cable Capacity of Reel								Approx. Weight without cable		Reel Dimensions								
	O.D. (in) O.D. (mm)	.245 6	.375 10	.41 10	.45 11	.49 12	.58 15	.67 17	NET	SHIP	A	B	B1	C	D	E	F	G	H
AVD-1		500 152	200 61	175 53	125 38	100 30	– –	– –	20 9	45* 20	10.25 260	6 152	2 51	6 152	13.75 349	11.75 298	13.25 337	14.25 362	7 178
AVD-2		– –	– –	600 183	500 152	425 130	250 76	200 61	34 15	68* 31	13.13 334	7.5 191	2 51	8 203	20 508	18 457	13.25 337	20.5 521	10 254

**Notes:**

Specifications subject to change.

**1. Be sure to check dimensions and weights prior to ordering.**

\*Dimensional weight applies when shipped as a parcel package (via FedEx or UPS Ground)



# AVC

## PORTABLE CABLE STORAGE REELS

Rugged steel & aluminum construction.

### AVC16-10-11

- Crank handle permanently attached to the disc.
- Equipped with Cam-lock drag brake system.
- Equipped with Velcro cable fastener.
- Non-reflective black matte finish standard.
- Optional Storage Drum Extension.

### AVC16-14-16 and AVC 20-14-16

- Direct crank rewind.
- Adjustable Cam-lock drag brake.
- Non-reflective black matte finish standard.
- Optional PL-2 pinlock available.
- Optional Storage Drum Extension.



**AVC16-10-11**  
Standard Configuration  
Shown



**AVC16-10-11-DE**  
with Optional  
Drum Extension



**AVC16-14-16-DE**  
with Optional  
Drum Extension

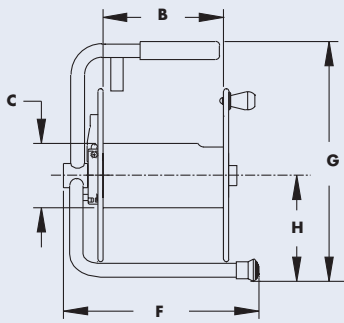


**AVC20-14-16**  
Standard Configuration  
Shown

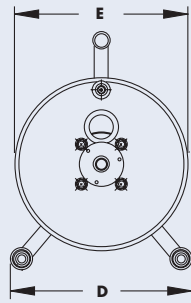


Parts Drawing – AVC16-10-11 – ISO 88, AVC16-14-16/AVC20-14-16 – ISO 121

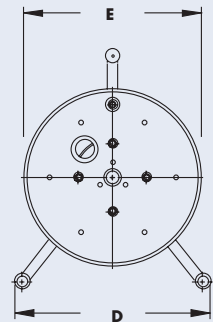
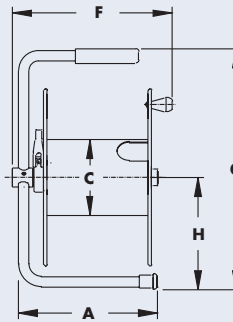
Model Number	Cable Capacity of Reel feet m.							Approx. Weight without cable lb. kg.		Reel Dimensions inches mm.							
	O.D. (in) O.D. (mm)	.245 6	.375 10	.41 10	.45 11	.49 12	.58 15	.67 17	NET	SHIP	A	B	C	D	E	F	G
AVC16-10-11	600 183	225 69	200 61	150 46	125 38	–	–	10 5	13* 6	11.5 292	7.5 191	4.5 114	11.88 302	10.75 273	12.25 311	14.75 375	6.88 175
AVC16-14-16	1100 335	450 137	350 107	275 84	250 76	125 58	100 30	17 8	32* 15	11 279	7.5 191	6 152	15.5 394	14 356	12.75 324	19.5 495	8.62 219
AVC20-14-16	–	725 221	600 183	450 137	425 130	250 76	175 53	18 8	32* 15	15 381	12 305	6 152	15.5 394	14 356	16.75 425	19.5 495	8.62 219
AVC16-10-11-DE	600 183	225 69	200 61	150 46	125 38	–	–	10 5	32* 15	11.5 292	7.5 191	4.5 114	11.88 302	10.75 273	14.25 362	14.75 375	6.88 175
AVC16-14-16-DE	1100 335	450 137	350 107	275 84	250 76	125 58	100 30	17 8	32* 15	11 279	7.5 191	6 152	15.5 394	14 356	14.25 362	19.5 495	8.62 219
AVC20-14-16-DE	–	725 221	600 183	450 137	425 130	250 76	175 53	18 8	53* 24	15 381	12 305	6 152	15.5 394	14 356	18.75 476	19.5 495	8.62 219



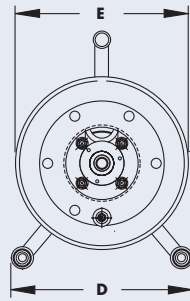
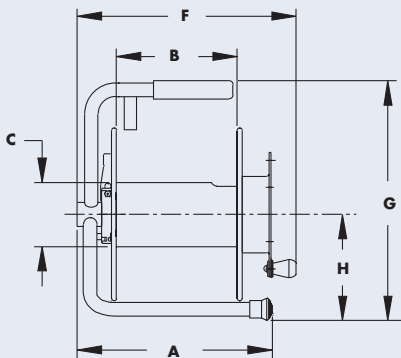
AVC16-10-11



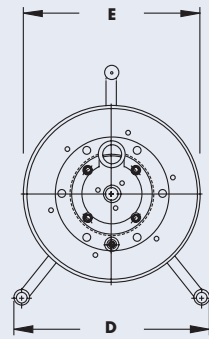
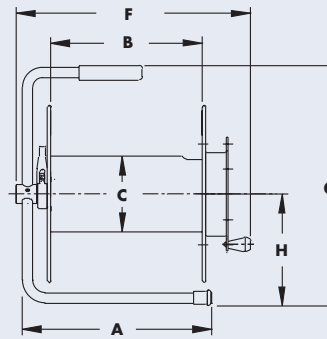
AVC16-14-16/AVC20-14-16



AVC16-10-11-DE



AVC16-14-16-DE/AVC20-14-16-DE



Notes:

Specifications subject to change.

1. Be sure to check dimensions and weights prior to ordering.

\*Dimensional weight applies when shipped as a parcel package (via FedEx or UPS Ground)

# AVC1500

## PORTABLE CABLE STORAGE REELS

Rugged steel & aluminum construction.

### AVC1500 Series

- Standard direct crank. Permanently attached.
- Manual rewind models, spring actuated pin-lock, Cam-lock drag brake.
- Non-reflective black matte finish.

#### Options:

- Heavy duty locking caster wheel set, includes 2 locking and 2 non-locking casters with mounting plates. P/N 9949.0075
- Frame mounted carry handles. P/N 9955.0023
- Divider discs, available with a cut-out. (Note: this disc location must be specified).



**AVC1500**  
Standard Configuration Shown



### AVC1520-17-18

- Options Shown:
- Slotted Divider Disc
  - Heavy-duty casters
  - Carry handles

### Parts Drawing – ISO 218

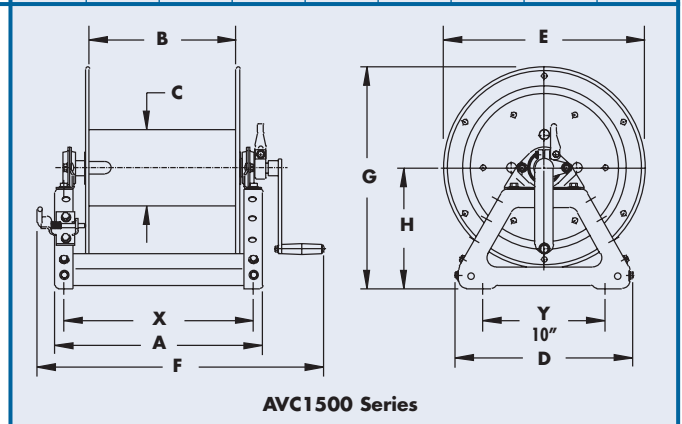
Model Number	Cable Capacity of Reel							Approx. Weight without cable		Reel Dimensions								
	O.D. (in) O.D. (mm)	.245 10	.375 10	.41 11	.45 12	.58 15	.67 17	NET	SHIP	A	B	C	D	E	F	G	H	X
AVC1514-17-18	–	550	400	325	300	200	125	23	53*	11	6	6	14.5	16.5	17.5	18.12	9.88	9.5
	–	168	122	99	91	61	38	10	24	279	152	152	368	419	445	460	251	241
AVC1516-17-18	–	–	600	500	400	300	200	24	55*	13	8	6	14.5	16.5	19.5	18.12	9.88	11.5
	–	–	183	152	122	91	61	11	25	330	203	152	368	419	495	460	251	292
AVC1520-17-18	–	–	950	775	625	475	300	25	65*	17	12	6	14.5	16.5	23.5	18.12	9.88	15.5
	–	–	290	236	191	145	91	11	29	432	305	152	368	419	597	460	251	394

#### Notes:

Specifications subject to change.

**1. Be sure to check dimensions and weights prior to ordering.**

\*Dimensional weight applies when shipped as a parcel package (via FedEx or UPS Ground)



# AVX-100

## PORTABLE CABLE STORAGE REELS



- Rugged steel and aluminum construction.
- Black, non-reflective matte finish.
- Durable tray provided for storage of stage box units.
- Slotted divider disc design allows connector pigtails to be safely stored alongside snake cable.
- Ergonomic carrying handle.
- Adjustable Cam-lock drag brake.

**AVX-100**  
Standard Configuration Shown  
(cable not supplied with reel)

### Parts Drawing – ISO 199

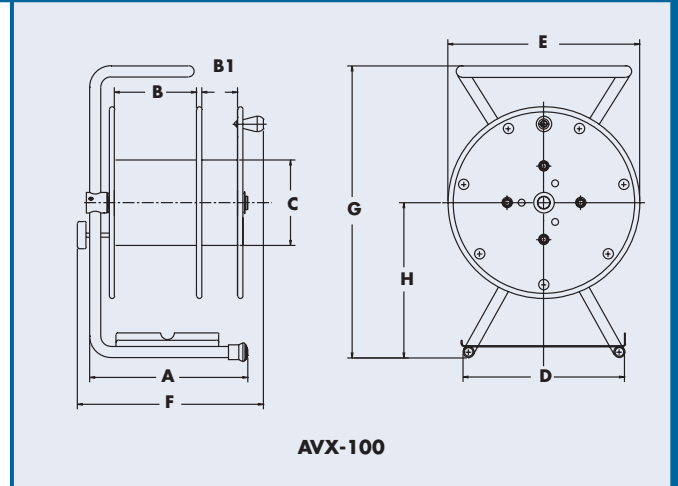
Model Number	Cable Capacity of Reel							Approx. Weight without cable		Reel Dimensions									
	O.D. (in)	.245	.375	.41	.45	.49	.58	.67	NET	SHIP	A	B	B1	C	D	E	F	G	H
	O.D. (mm)	6	10	10	11	12	15	17											
AVX-100		–	–	–	275	225	150	100	16	32*	11	6	3	6	12	14	13.5	21	11.25
		–	–	–	84	69	46	30	7	15	279	152	76	152	305	356	343	533	286

**Notes:**

Specifications subject to change.

**1. Be sure to check dimensions and weights prior to ordering.**

\*Dimensional weight applies when shipped as a parcel package (via FedEx or UPS Ground)



AVX-100

# AVC1150/ AVATC1250

## PORTABLE STORAGE REELS ON WHEELS

These direct crank rewind reels are equipped with one-piece foot, rubber tires, and removable steel handlebar for long-term storage and shipping.

- A non-reflective black matte finish is standard.
- For compact storage, optional folding handle or removable crank handle.

### AVC1150

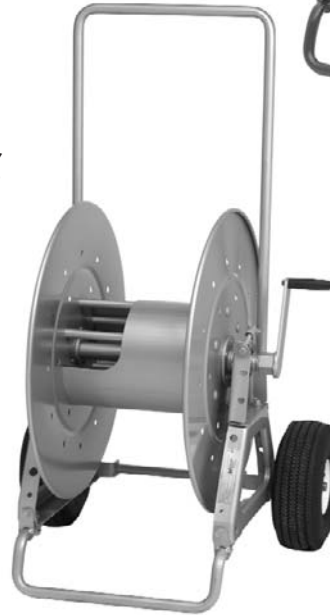
- A 7/8" x 1 3/4" (22.2 mm x 44.4 mm) opening in the drum.
- Cam-lock brake.

### AV ATC1250

- Pneumatic tires and a 4" x 5 1/2" (101.6 mm x 139.7 mm) drum opening.
- Large capacity spool. • Cam-lock brake.



**AVC 1150**  
Shown with  
Optional  
Folding Handle



**AVATC 1250**  
Shown Painted Silver

### Parts Drawing – AVC 1150 - ISO 48, AVATC 1250 - ISO 87

Model Number	Cable Capacity of Reel feet m.							Approx. Weight lb. kg.		Reel Dimensions inches mm.							
	O.D. (in) O.D. (mm)	.245 6	.375 10	.41 10	.45 11	.49 12	.58 15	.67 17	NET	SHIP	A	B	C	D	E	F	G
AVC 1150	-	950	800	700	575	425	250	44	76*	21.5	12	6	22	16.5	24.25	39	13.81
	-	290	244	213	175	130	76	20	34	546	305	152	559	419	616	991	351
AVATC 1250	-	1800	1500	1200	1000	800	500	82	115	24.88	11.5	8	23	23	26.5	40	17.25
	-	549	457	366	305	244	152	37	52	632	292	203	584	584	673	1016	438

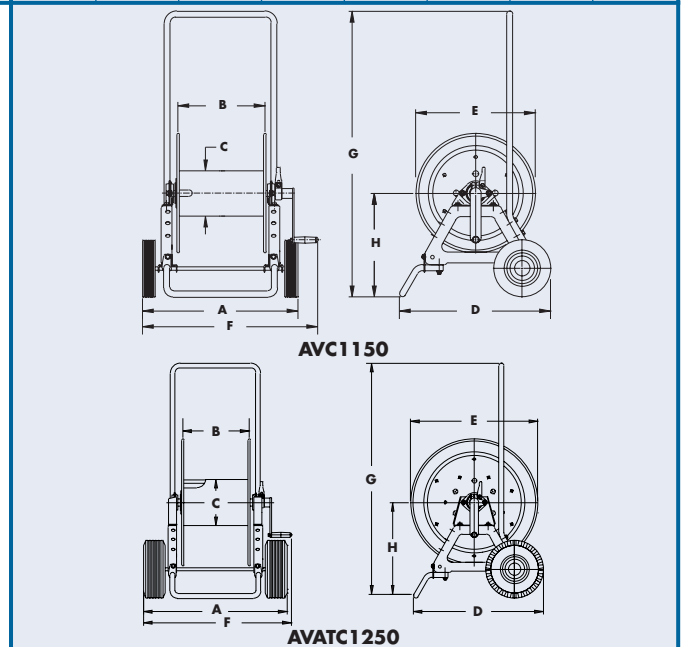
### Notes:

Specifications subject to change.

1. Be sure to, specify model number, O.D., length and weight of cable, etc.
2. Optional AT Wheels on AVC 1150 increase dimensions, consult factory.

### 3. Be sure to check dimensions and weights prior to ordering.

\* Dimensional weight applies when shipped as a parcel package (via FedEx or UPS Ground). Some assembly required.





# AVCQ20-14-16

## REMOVABLE SPOOL PORTABLE CABLE REEL



P/N 13-25

- Use multiple spools on one frame.
- Quick release spool removal.
- Self-storing removable rewind crank.
- Ideal for small vehicles and storage areas.
- Adjustable friction brake.



P/N 9906.0910



P/N 13-26



Model Number	Cable Capacity of Reel <u>feet</u> m.							Approx. Net Weight <u>lb.</u> kg.	Reel Dimensions <u>inches</u> mm.							
	O.D. (in) O.D. (mm)	.245 6	.375 10	.41 10	.45 11	.49 12	.58 15		.67 17	WITHOUT CABLE	A	B	C	D	E	F
AVCQ 20-14-16	-	700	525	400	400	250	175	30* 14	15 381	12 305	6 152	15.5 394	14 356	16.75 425	19 483	8.62 219

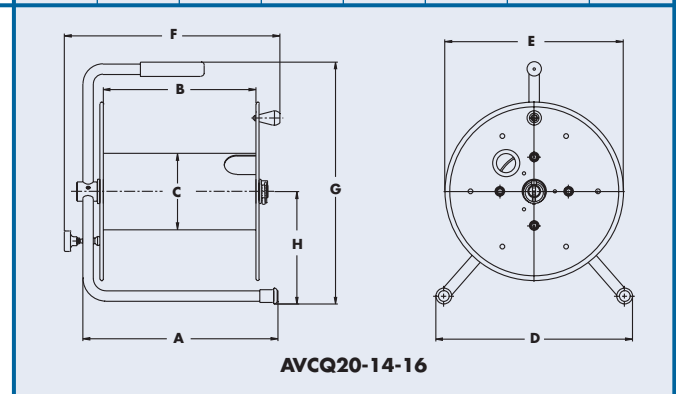
**Notes:**

Specifications subject to change.

1. Extra Spools can be stored on vertical or horizontal spindles of your own design, when needed transfer spool to frame for transport to work site. Sturdy steel construction with direct crank rewind provides fast, easy pick-up. Perfect for applications with long cable runs or large diameter cable. Adjustable friction brake is standard. Non-reflective black matte finish.

**2. Be sure to check dimensions and weights prior to ordering.**

\* Dimensional weight applies when shipped as a parcel package (via FedEx or UPS Ground). Some assembly required.



## Hannay Reels Offer Fast Rollout and Storage

Hannay AV series reels are specifically designed for broadcast and pro-audio applications. They give you a better way to organize, store, and transport all the cables used in studio production, live events, or remote broadcasts. The black, non-reflective reels are lightweight for easy portability, and the ergonomic carrying handles allow for one or two person transport.

All Hannay AV reels are stackable for maximum transport and storage efficiency. Side-mounted connector panels accommodate almost any combination of XLR and BNC connectors. Rugged steel construction and adjustable friction brake assure continuous smooth operation and prevent cable damage. Optional heavy-duty, locking caster wheels provide convenient transport on-site.

**Custom spools and reels** for cable handling and storage can be built in an almost limitless range of sizes and with a wide variety of special features. All our reels are made to stringent specifications, so you know you're buying reels you can depend on year after year, even under the most demanding conditions.

### Orders and quotations supply the following info:

- Complete specifications on cable size, length and weight.
- O.D. and bending radius of cable.
- Number of conductors, voltage and amperage.
- Type of rewind mechanism, including available power for electric, hydraulic or air rewind motors.
- Description of how reel is to be installed and used.
- Specification of any accessories.



Cable Reels catalog also available



Family owned and operated since 1933, Hannay Reels is the world leader in both OEM and aftermarket applications. Hannay offers thousands of standard hose reel and cable reel models, as well as unmatched custom capabilities. We can easily and affordably customize a reel to meet your exact specifications – built to last, delivered fast. Additional catalogs are available through your local Hannay Reels dealer or online at [www.hannay.com](http://www.hannay.com).



553 State Route 143 • Westerlo, New York 12193-0159  
Toll Free Phone: 1-877-GO-REELS • Toll Free Fax: 1-800-REELING

E-mail: [reels@hannay.com](mailto:reels@hannay.com)

Intl. Phone: 1-518-797-3791 • Intl. Fax: 1-518-797-3259

[www.hannay.com](http://www.hannay.com)



MADE IN U.S.A.